

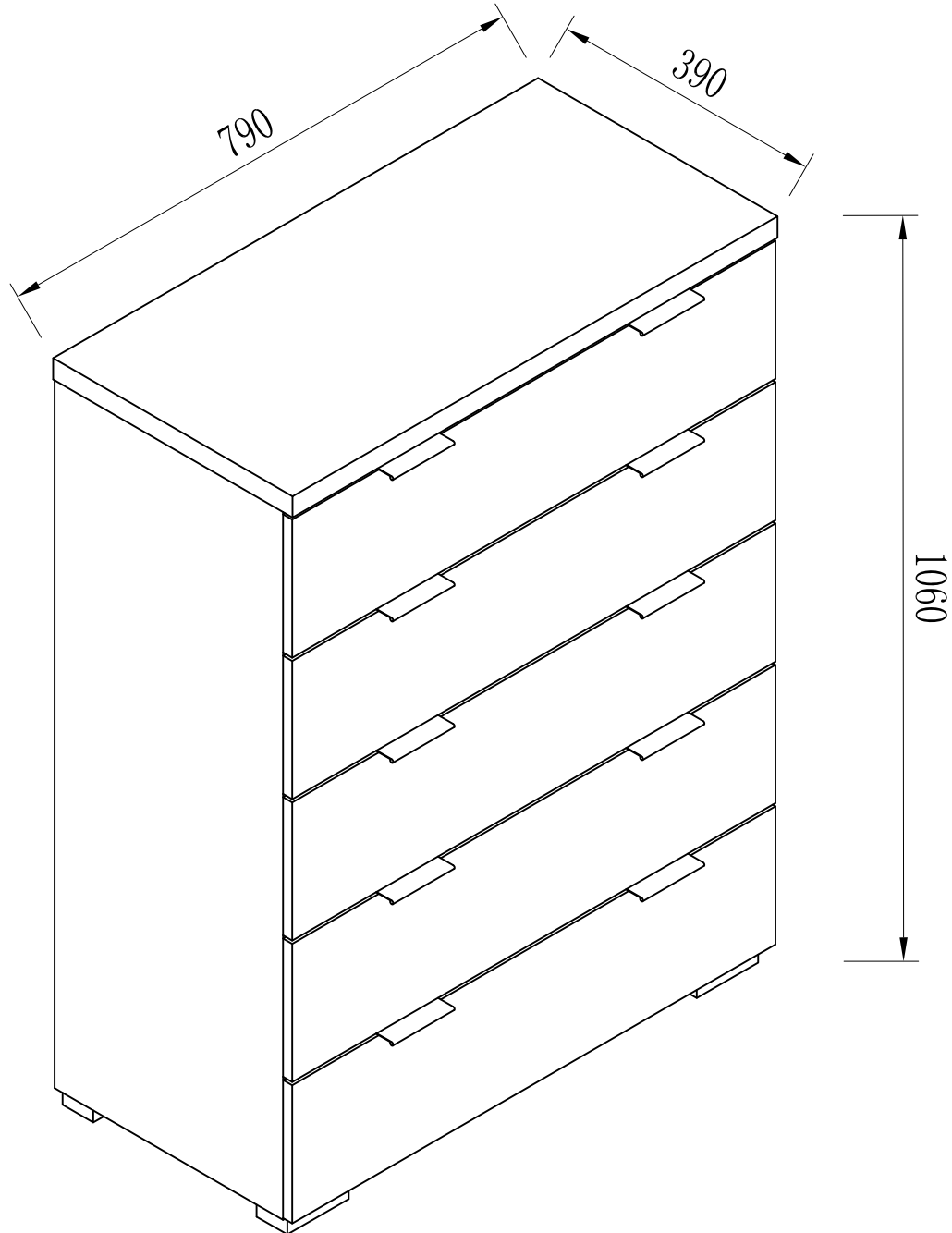


ASSEMBLY INSTRUCTION
CASSIDY TALL CHEST
ITEM CODE 65777

Imported by Amart Furniture Pty Ltd. Qld. Brisbane Australia.

For any assistance with assembly or for missing parts please phone

Amart Furniture, Customer Service Free call 1800 351 084



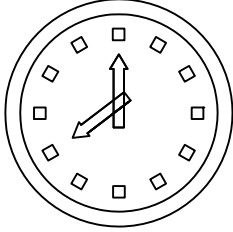
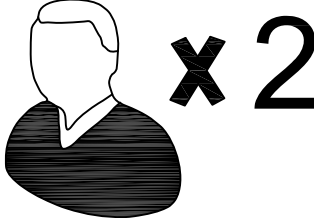

Imported by Amart Furniture Pty Ltd. Qld. Brisbane Australia.

For any assistance with assembly or for missing parts please phone Amart Furniture
Customer Service Free call 1800 351 084

PRE-ASSEMBLY PREPARATION

Before you start:

1. Choose a clean, level, spacious assembly area. Avoid hard surfaces that may damage the product
2. Take care when lifting. Product should be assembled as near as possible to the point of use
3. Ensure that you have all required contents for complete assembly.
4. Always read the assembly instructions carefully before beginning assembly.
5. Keep all hardware parts and packaging out of reach of small children.
6. Do not over tighten the screws and bolts as this may damage the threads

| | |
|---|---|
|  ALLOW 40 MINUTES |  2 PEOPLE REQUIRED |
|  ⊕ ADDITIONAL TOOLS REQUIRED | |

| | |
|--|--|
|  TIPPING WARNING  | |
|  | <p>Serious or fatal injuries may occur from furniture toppling over. To help avoid this please follow the below recommendations:</p> <ul style="list-style-type: none">• Install the provided "Tipping Kit" as per the instructions• Never allow children to climb on or hang off of any part of this product• Unless specifically designed to accommodate, do not set TVs or other heavy objects on top of this product <p>If this product has drawers:</p> <ul style="list-style-type: none">• Place the heaviest items in lowest drawers• Do not open more than 1 drawer at a time as this may cause the product to become unbalanced• Do not tamper with or remove any drawer interlocking/running system <p>Note: The use of the provided "Tipping Kit" may reduce but not necessarily eliminate the risk of furniture toppling over. Please use this product with caution.</p> <p><i>This is a permanent label. Do not attempt to remove!</i></p> |

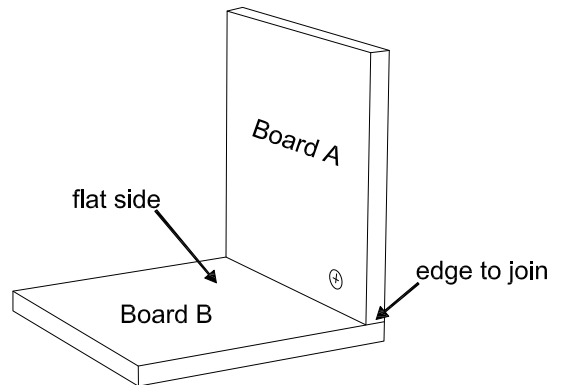
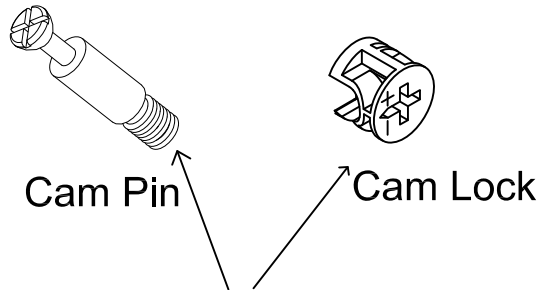
CAM Lock and Pins

step 1

HOW TO USE CAM LOCK FASTENERS

To assemble this product hardware called Cam Lock Fasteners are used. The below is information on how these work.

Cam Locks are fasteners used to join two boards together, usually the edge of one board(A) to the flat side of another board(B)



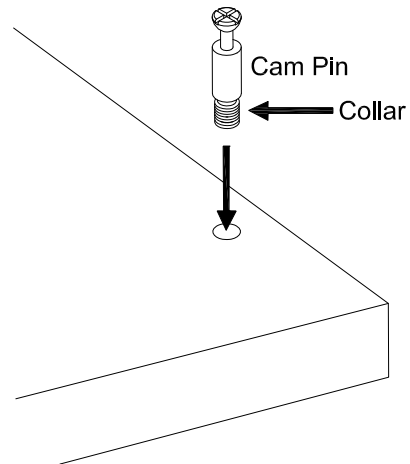
Ensure that you use the correct images that are representative of the hardware used in the product

step 2

To use Cam Lock Fasteners

The Cam Pin is inserted into the flat side of a board, it is important that:

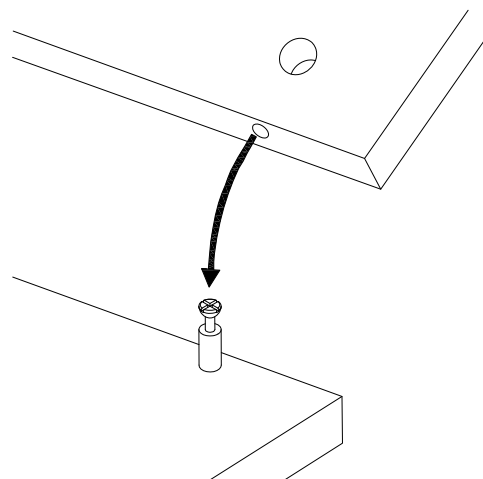
- * The cam pin is kept vertical and is not put in on an angle
- * Cam Pin is inserted up to the collar
 - * Too far and it wont catch the Cam Lock (Do not Over Tighten)
 - * Not enough and the resulting product wont be stable



step 3

To use Cam Lock Fasteners

Now fit the hole in the edge of the joining board over the Cam Pin

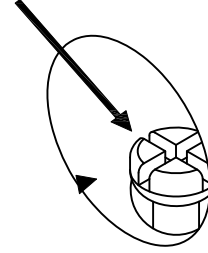


step 4

To use Cam Lock Fasteners

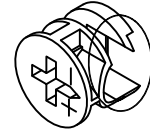
The Head of the Cam Pin will be visible in the large hole on the side of the joining board

head of the Cam Pin



To use Cam Lock Fasteners

Notice the Cam Lock has a "C" Shaped back An Arrow or +/- signs on the front, indicated the open section on the back of the Cam Pin



Cam Lock

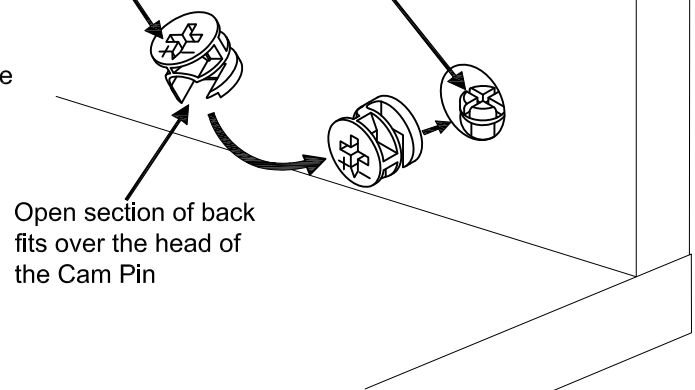
step 5

To use Cam Lock Fasteners

In sert the Cam Lock into the large hole so the opening of the "C" fits over the head of the Cam Pin. You must ensure that the Cam Lock is pushed to the bottom of the hole to catch the top of the Cam Pin

Arrow or +/- signs

head of the Cam Pin

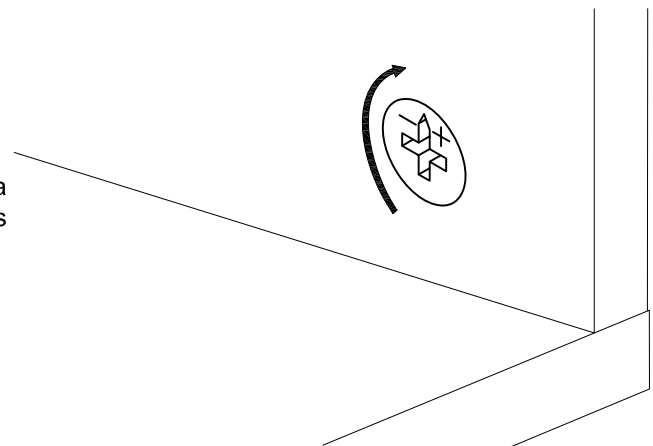


Open section of back fits over the head of the Cam Pin

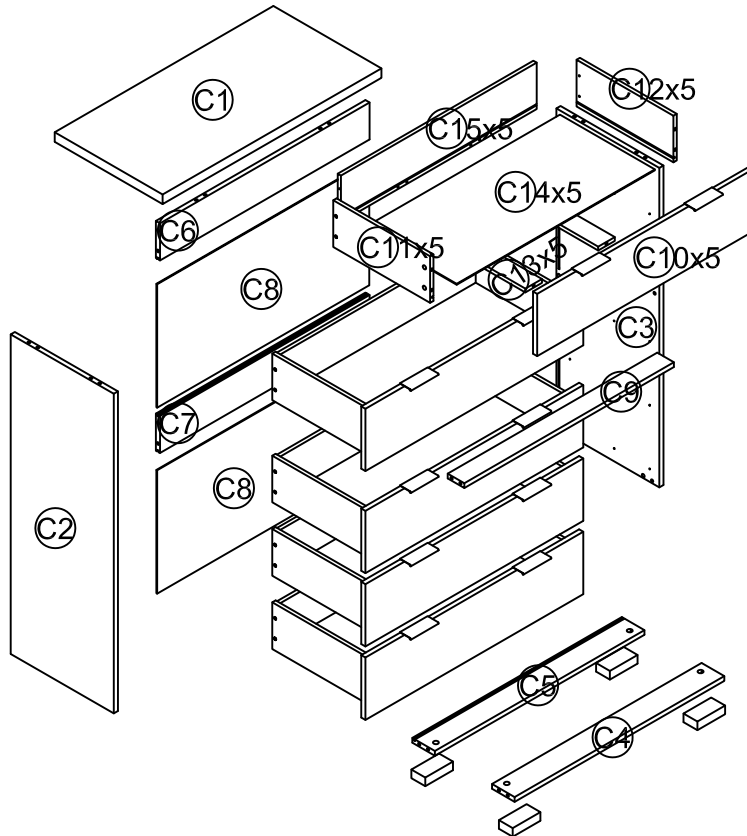
step 6

To use Cam Lock Fasteners

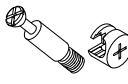
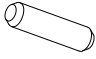
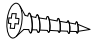




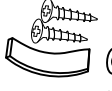
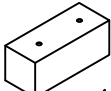
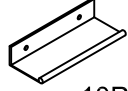
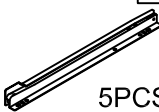
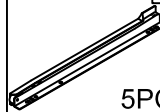
Use a flat screwdriver to turn the Cam Lock clockwise one half a turn so it Locks onto the head of the Cam Pin. Turn only until it is snug-over-tightening could cause the Cam to bend or break. If it will not turn the full amount, turn the Cam Pin out (counter-clockwise) one full turn, and try the Cam Lock again.



PARTS LIST

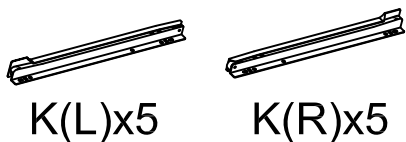


| | | | |
|----|----------------------------|-----|-----------------------------|
| C1 | Top Panel | C10 | Drawer Front Panel |
| C2 | Left Side Panel | C11 | Drawer Left Side Panel |
| C3 | Right Side Panel | C12 | Drawer Right Side Panel |
| C4 | Bottom Front Support Panel | C13 | Drawer Bottom Support Panel |
| C5 | Bottom Back Support Panel | C14 | Drawer Bottom Panel |
| C6 | Back Top Rail Panel | C15 | Drawer Back Panel |
| C7 | Back Middle Rail Panel | | |
| C8 | Back Panel | | |
| C9 | Front Rail Panel | | |

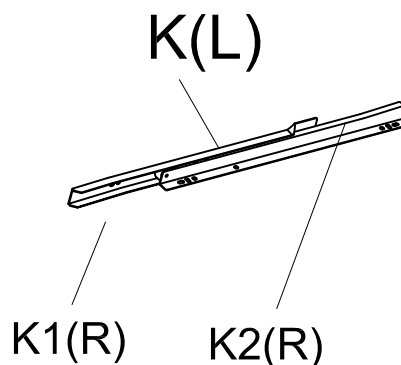
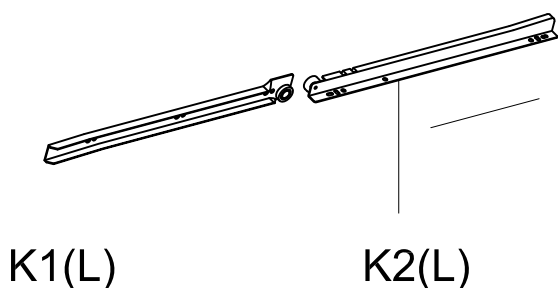
| | | | | | | |
|---|--|--|--|---|---|---|
|  A. Cam lock and Cam pin Ø15X35 50PCS |  B. Dowel Ø8X30 12PCS |  C. Screw Ø3.5X12 80PCS |  D. Screw Ø3.5X16 10PCS |  E. Screw Ø4X35 40PCS |  F. Screw Ø3X18 8PCS |  G. Connector 8PCS |
|  H. Belt 1PC |  I. Leg 4PCS |  J. Handle 10PCS |  K:Runner (L) 350mm 5PCS |  K:Runner (R) 350mm 5PCS | | |

65777

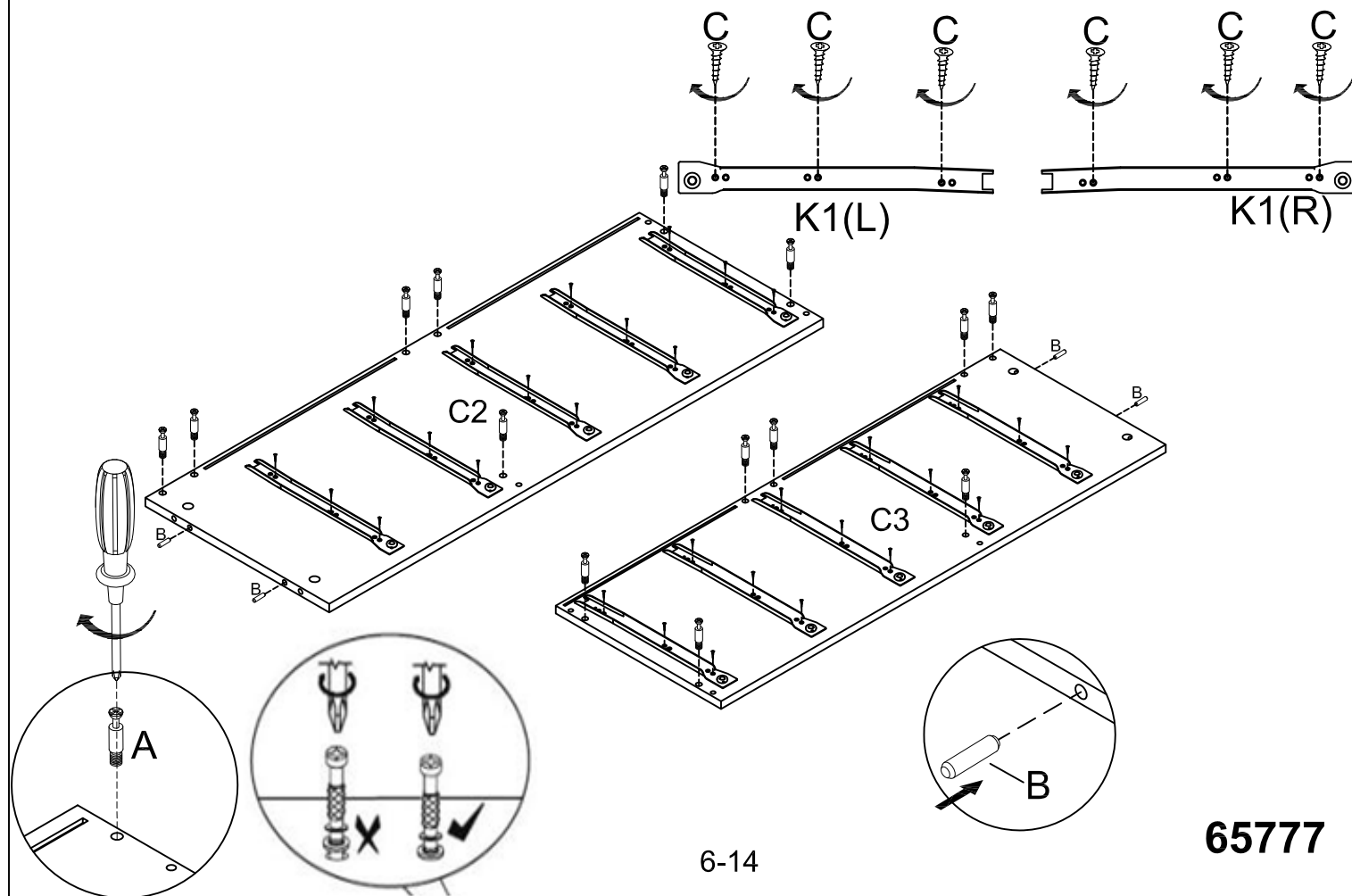
Step 1. Take off the Runner (K,L&R)



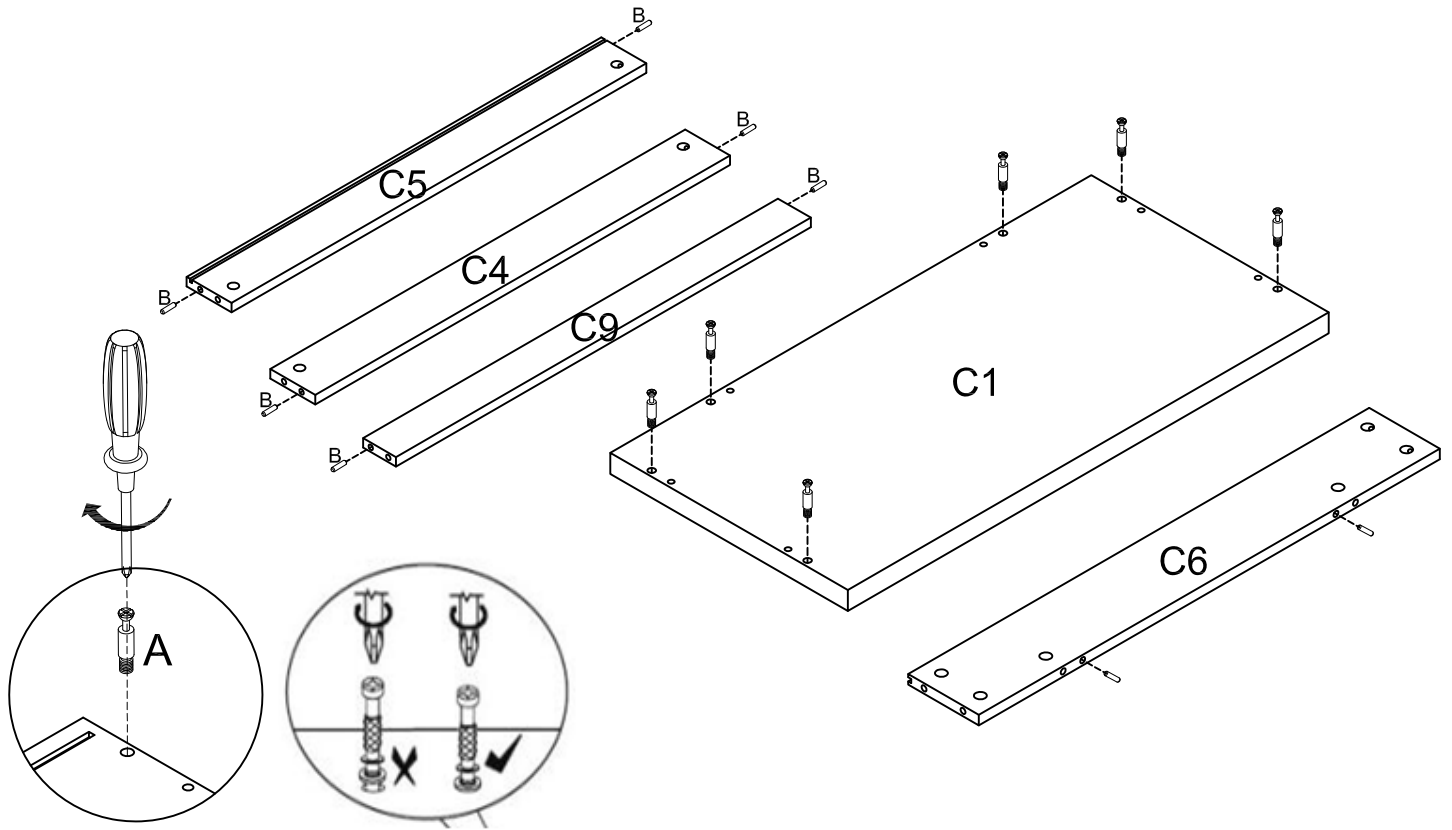
$$K = K1 + K2$$



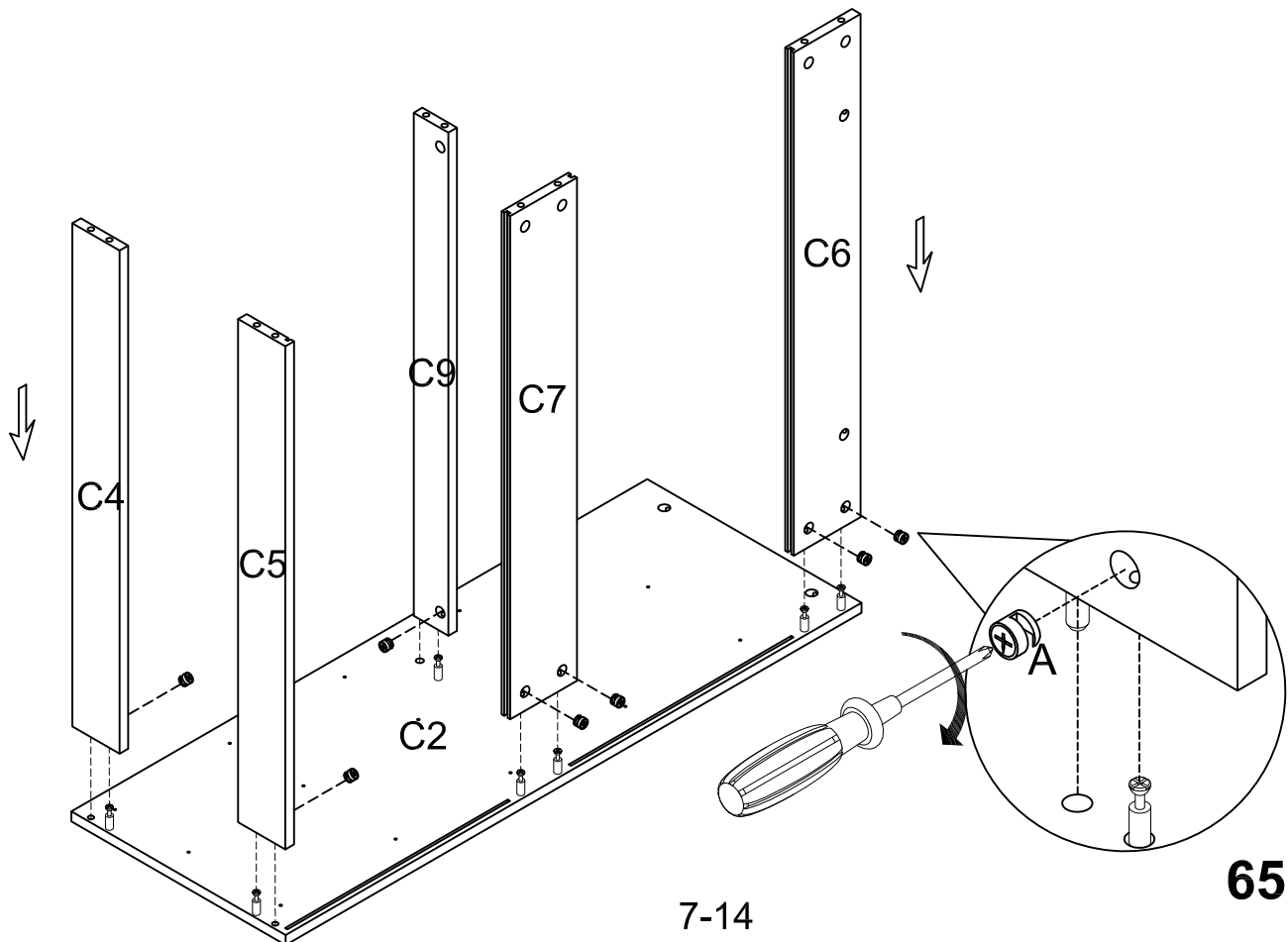
STEP 2: Tighten the Runner (K1) to the Left Side Panel (C2) and Right Side Panel (C3) with Screw (C), Insert the Dowel (B) to the Left Side Panel (C2) and Right Side Panel (C3). Use a Phillips Head Screw driver to insert the Cam Pin (A) to the Left Side Panel (C2) and Right Side Panel (C3).



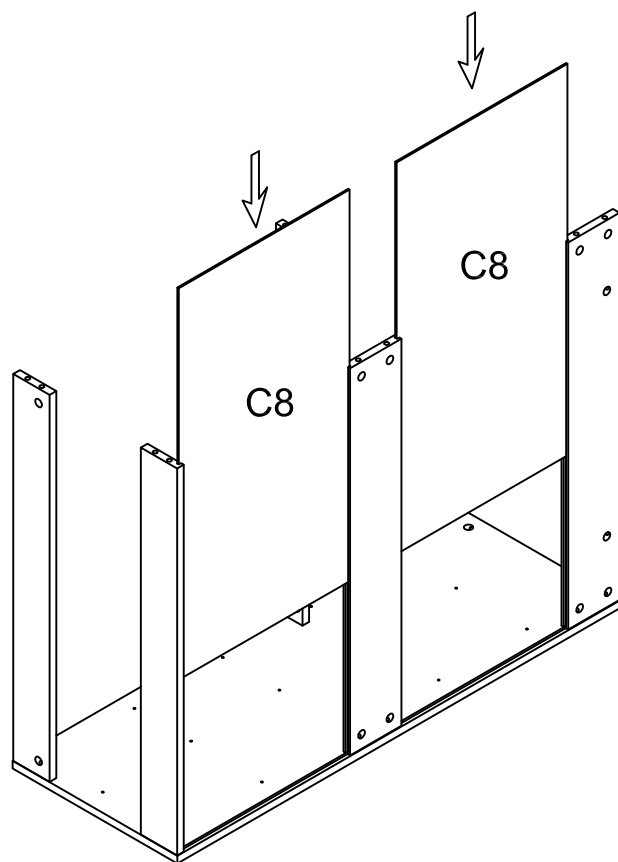
STEP 3: Use a Phillips Head Screw driver to insert the Cam Pin (A) to the Top Panel (C1). Insert the Dowel (B) to the Bottom Front Support Panel (C4) and Bottom Back Support Panel (C5) and Front Rail Panel (C9) and Back Top Rail Panel (C6).



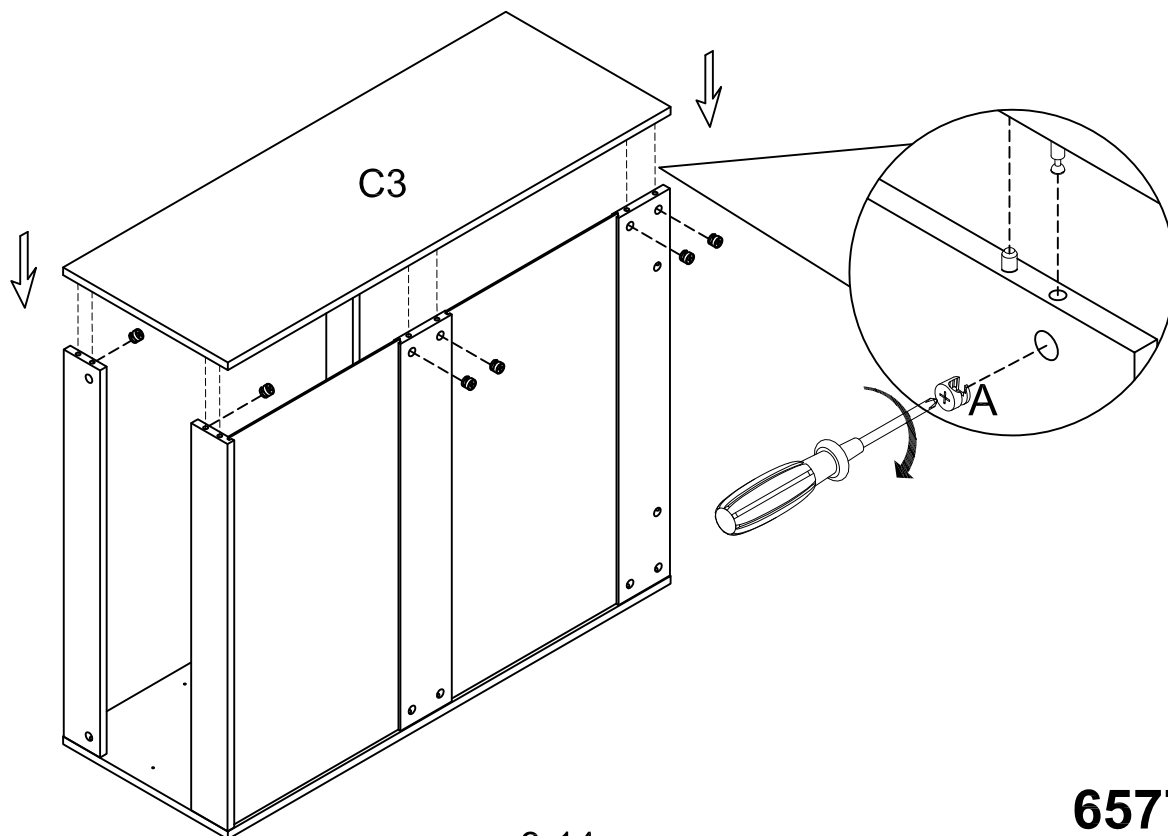
STEP 4: Assemble the Bottom Front Support Panel (C4) and Bottom Back Support Panel (C5) and Front Rail Panel (C9) and Back Top Rail Panel (C6) and Back Middle Rail Panel (C7) to the Left Side Panel (C2). Use a Phillips Head Screwdriver to turn the Cam Lock (A) to lock onto the head of Cam Pin (A)



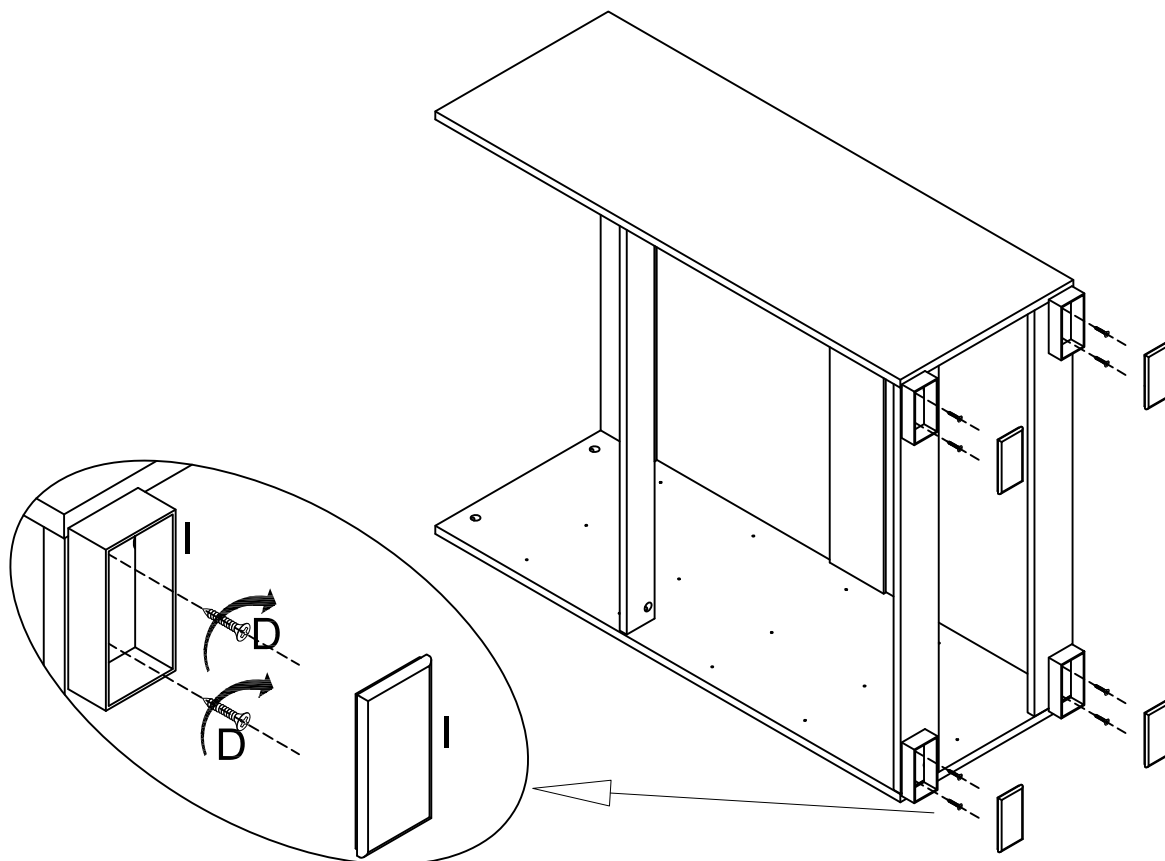
STEP 5: Insert the Back Panel (C8) to the Bottom Back Support Panel (C5) and Back Top Rail Panel (C6) and Back Middle Rail Panel (C7)



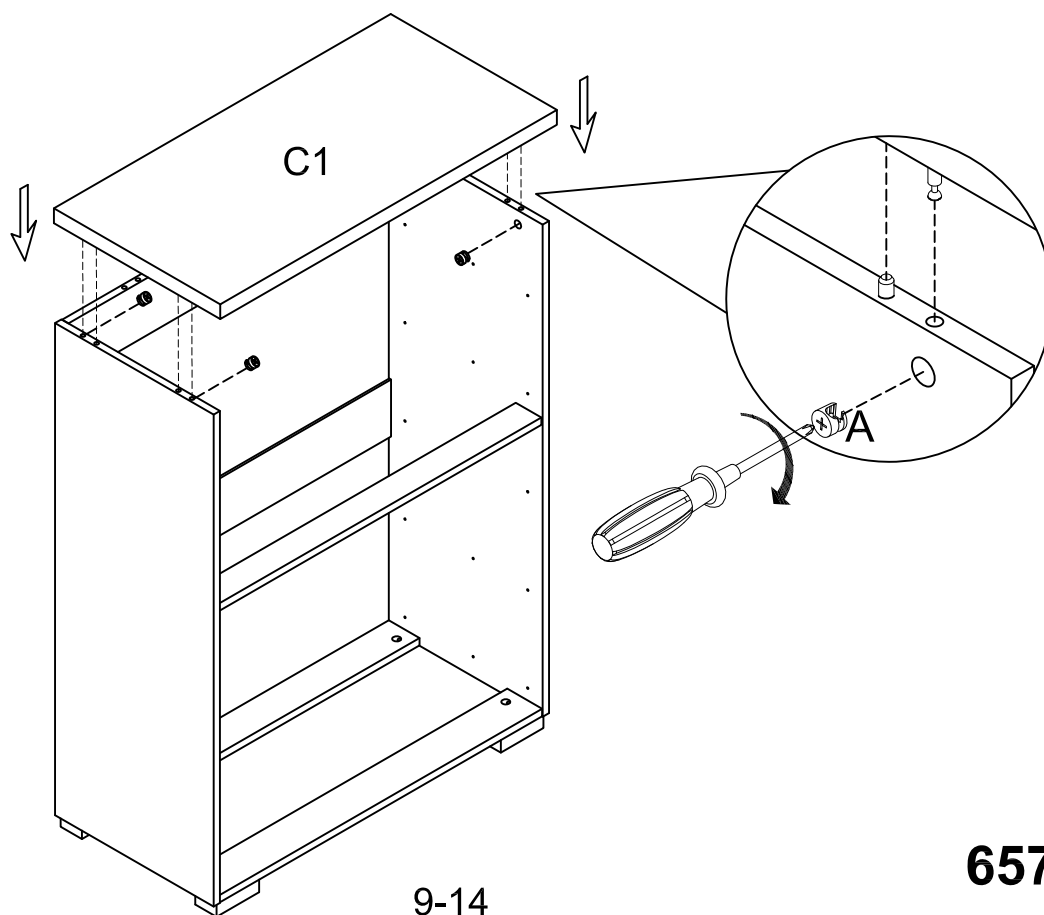
STEP 6: Assemble the Bottom Front Support Panel (C4) and Bottom Back Support Panel (C5) and Front Rail Panel (C9) and Back Top Rail Panel (C6) and Back Middle Rail Panel (C7) to the Right Side Panel (C3). Use a Phillips Head Screwdriver to turn the Cam Lock (A) to lock onto the head of Cam Pin(A)



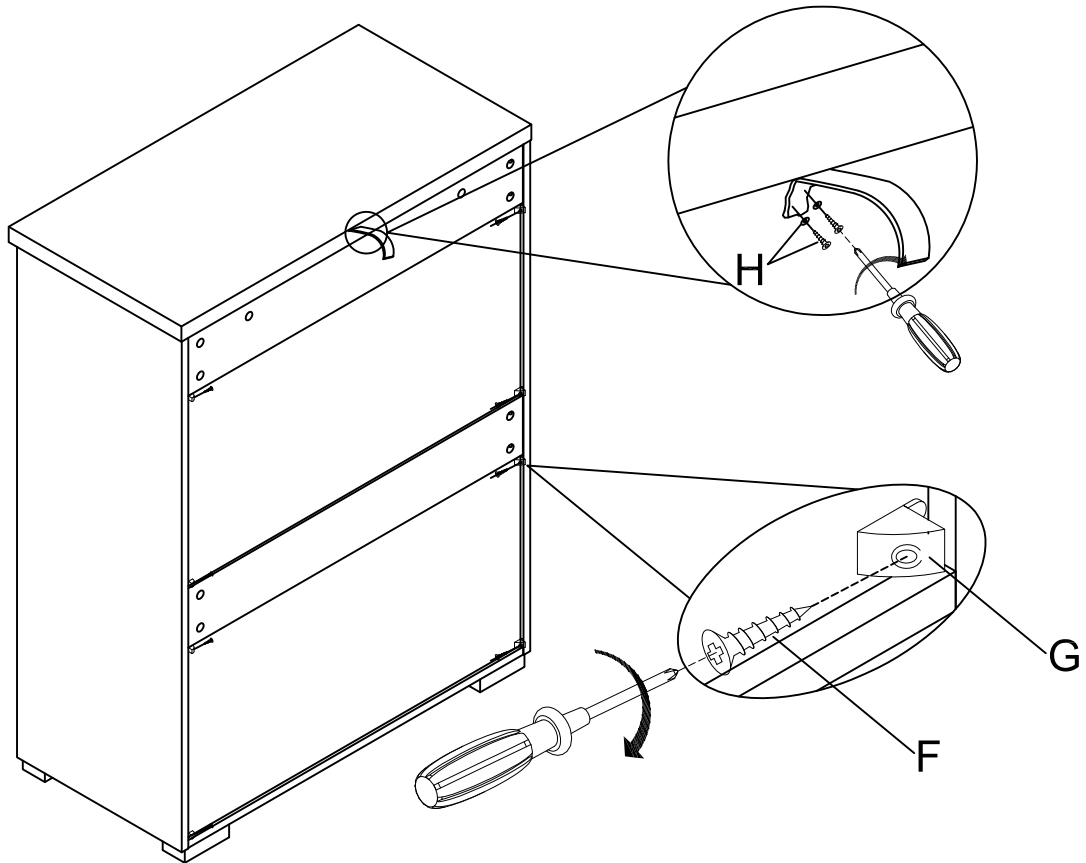
STEP 7: Take off the Leg Cap. Use a Phillips Head Screwdriver to tighten the Leg(I) to the Bottom Front Support Panel(C4) and Bottom Back Support Panel (C5) with Screw (D). Insert the Cap (L) to the Leg(I).



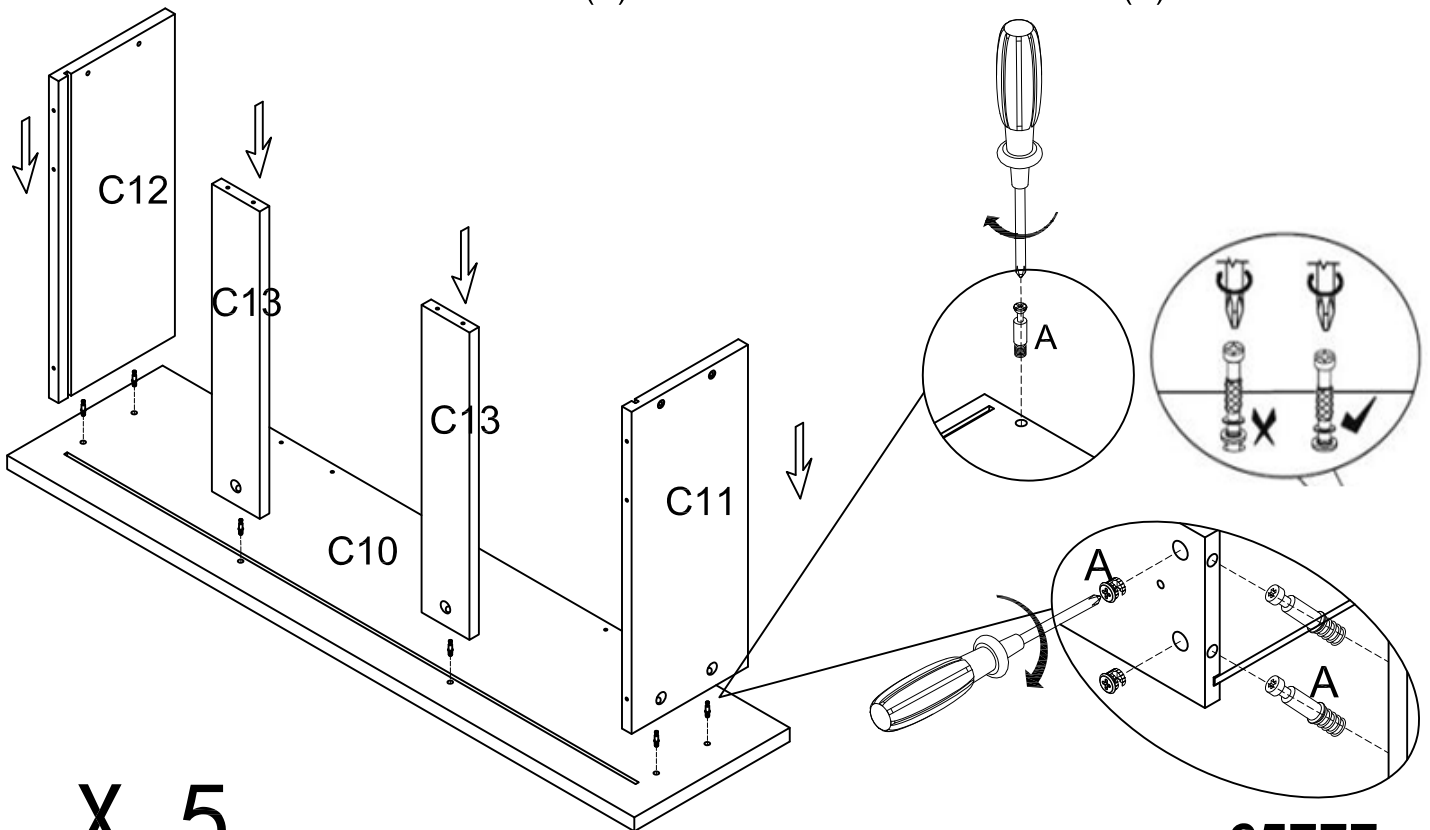
STEP 8: Assemble the Top Panel (C1) to the Left Side Panel (C2) and Right Side Panel (C3). Use a Phillips Head Screwdriver to turn the Cam Lock (A) to lock onto the head of Cam Pin(A)



STEP 9: Use a Phillips Head Screwdriver to tighten the Belt (H) to the Top Panel (C1). Use a Phillips Head Screwdriver to tighten the Connector (G) to the Chest back corner with Screw (F)



STEP 10: Use a Phillips Head Screwdriver to Insert the Cam Pin (A) to the Drawer Front Panel (C10). Assemble the Drawer Left Side Panel (C11) and Drawer Right Side Panel (C12) and Drawer Bottom Support Panel (C13) to the Drawer Front Panel (C10). Use a Phillips Head Screwdriver to turn the Cam Lock (A) to lock onto the head of Cam Pin (A).

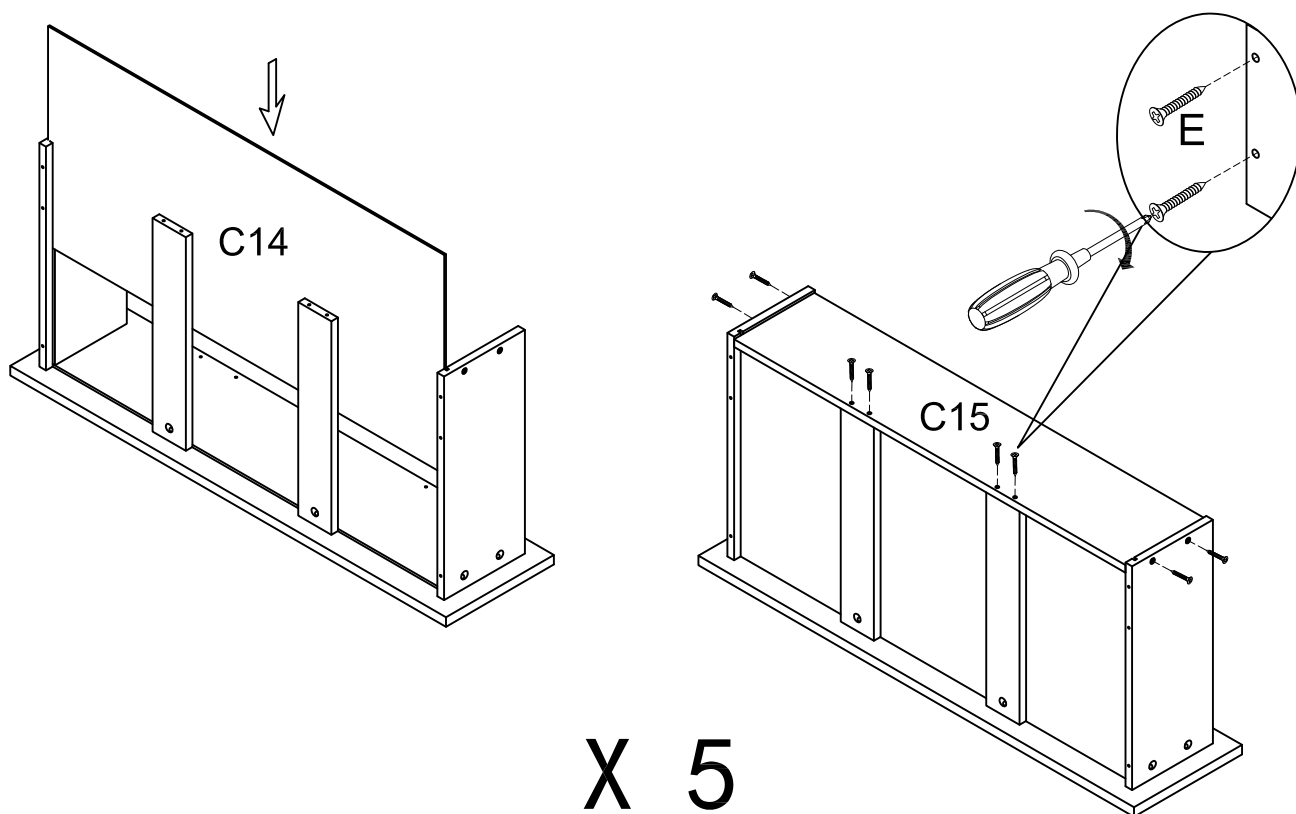


X 5

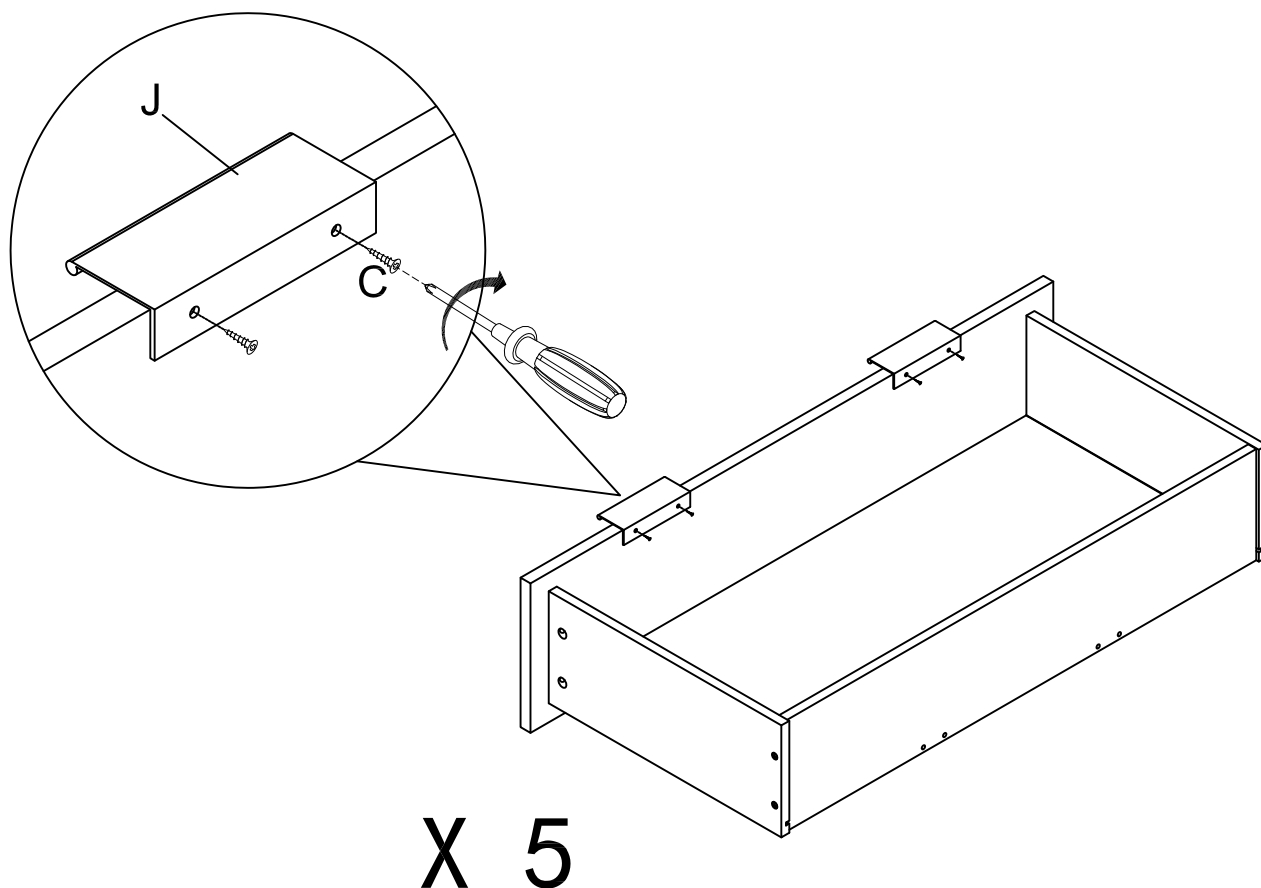
10-14

65777

STEP 11: Insert the Drawer Bottom Panel (C10) to the Drawer Left Side Panel (C11) and Drawer Right Side Panel (C12) and Drawer Front Panel (C10). Use a Phillips Head Screwdriver to assemble the Drawer Back Panel (C15) to the Drawer Left Side Panel (C11) and Drawer Right Side Panel (C12) and Drawer Bottom Support Panel (C13) with Screw (E).

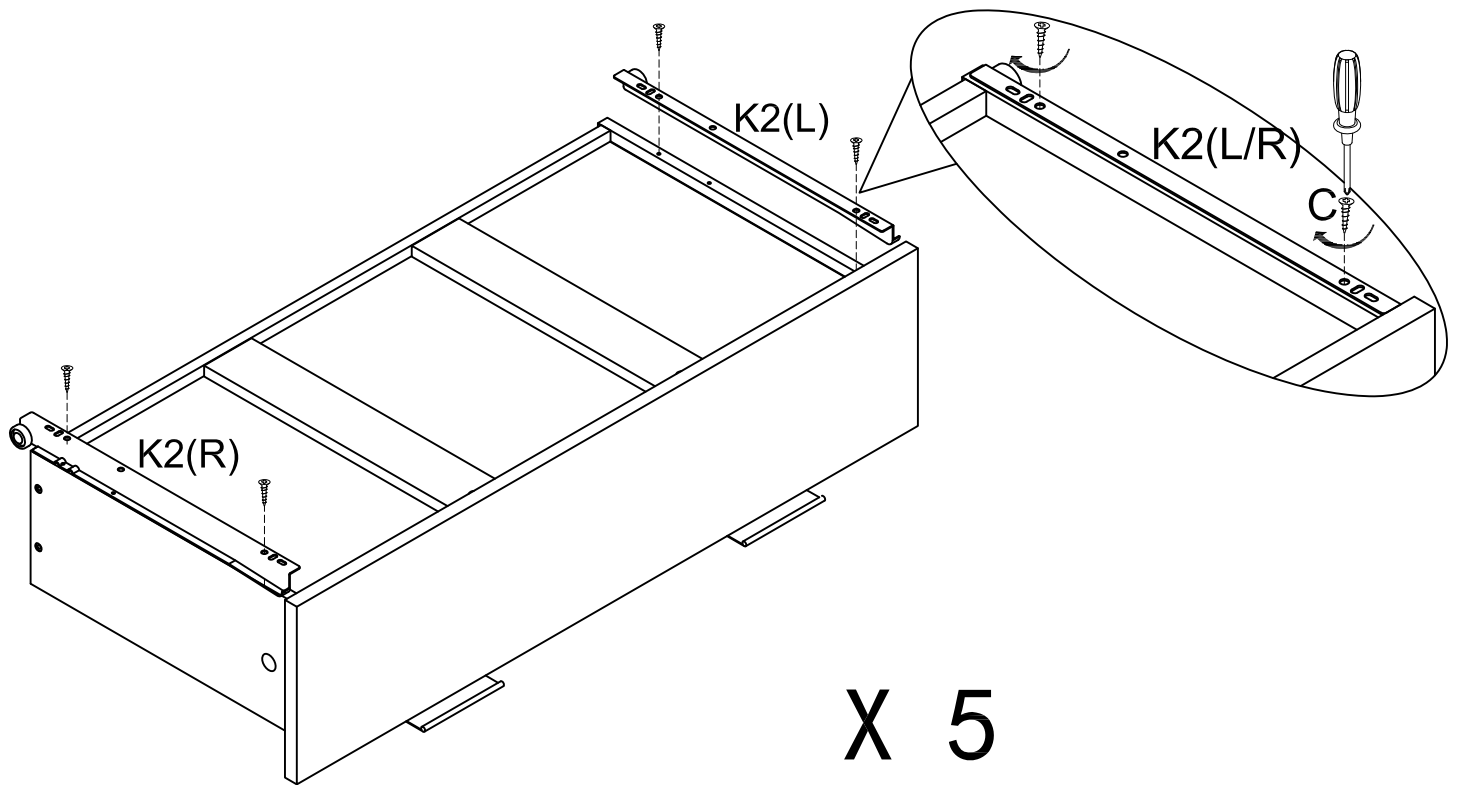


STEP 12: Use a Phillips Head Screwdriver to assemble the Handle (J) to the Drawer Front Panel (C10) with Screw (C).

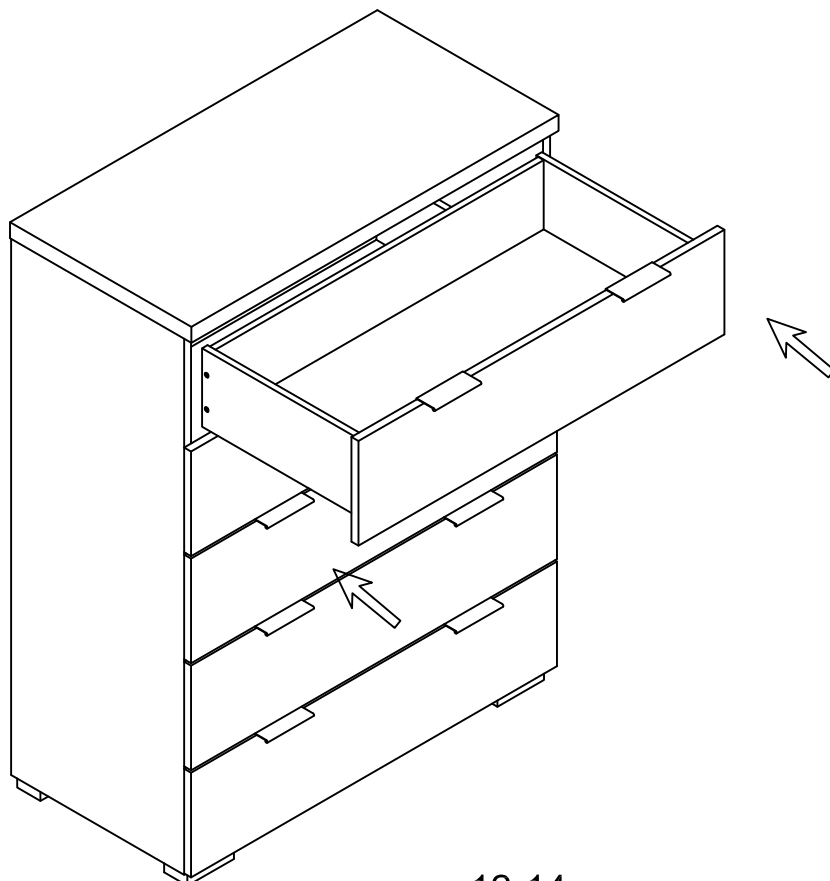


65777

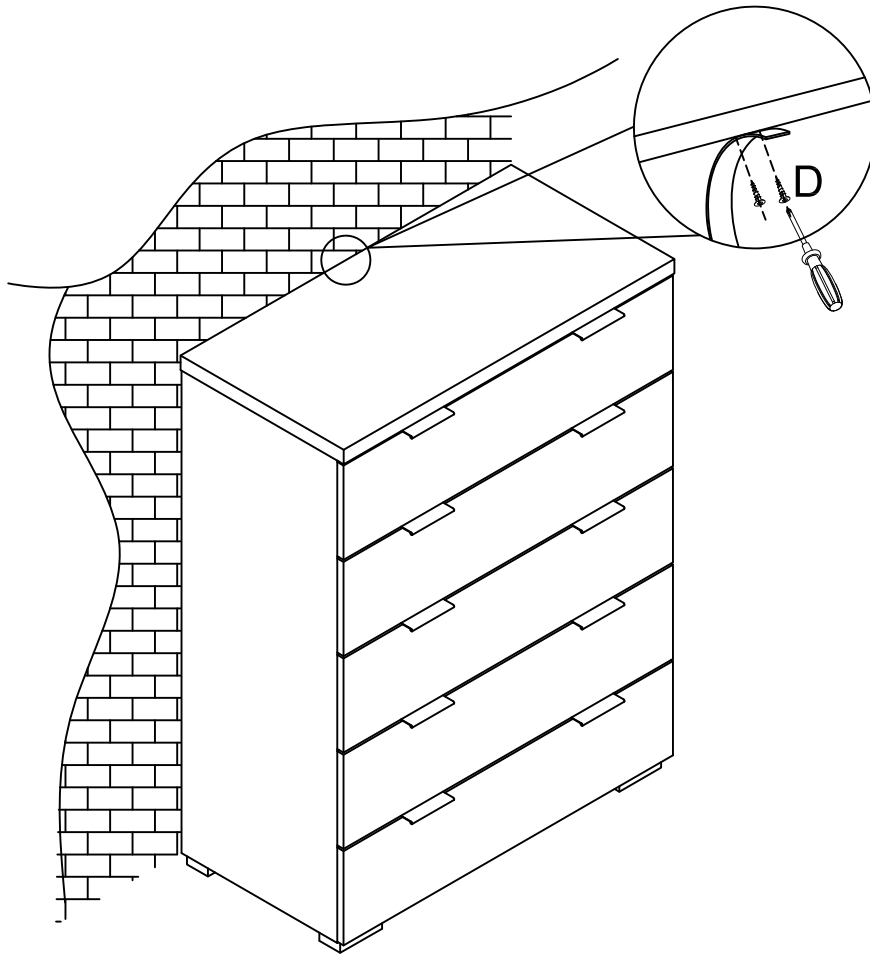
STEP 13: Use a Phillips Head Screwdriver to assemble the Runner (K2) to the Drawer Left Side Panel (C11) and Drawer Right Side Panel (C12) with Screw (C).



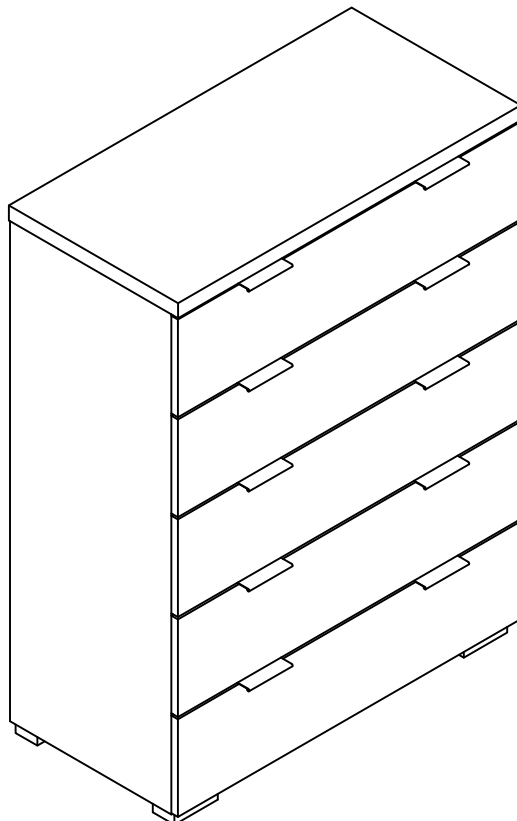
STEP 14: Insert the Drawer to the Left Side Panel (C2) and Right Side Panel (C3).



STEP 13: Use a Phillips Head Screwdriver to tighten the Belt (H) to the wall with Screw (D).

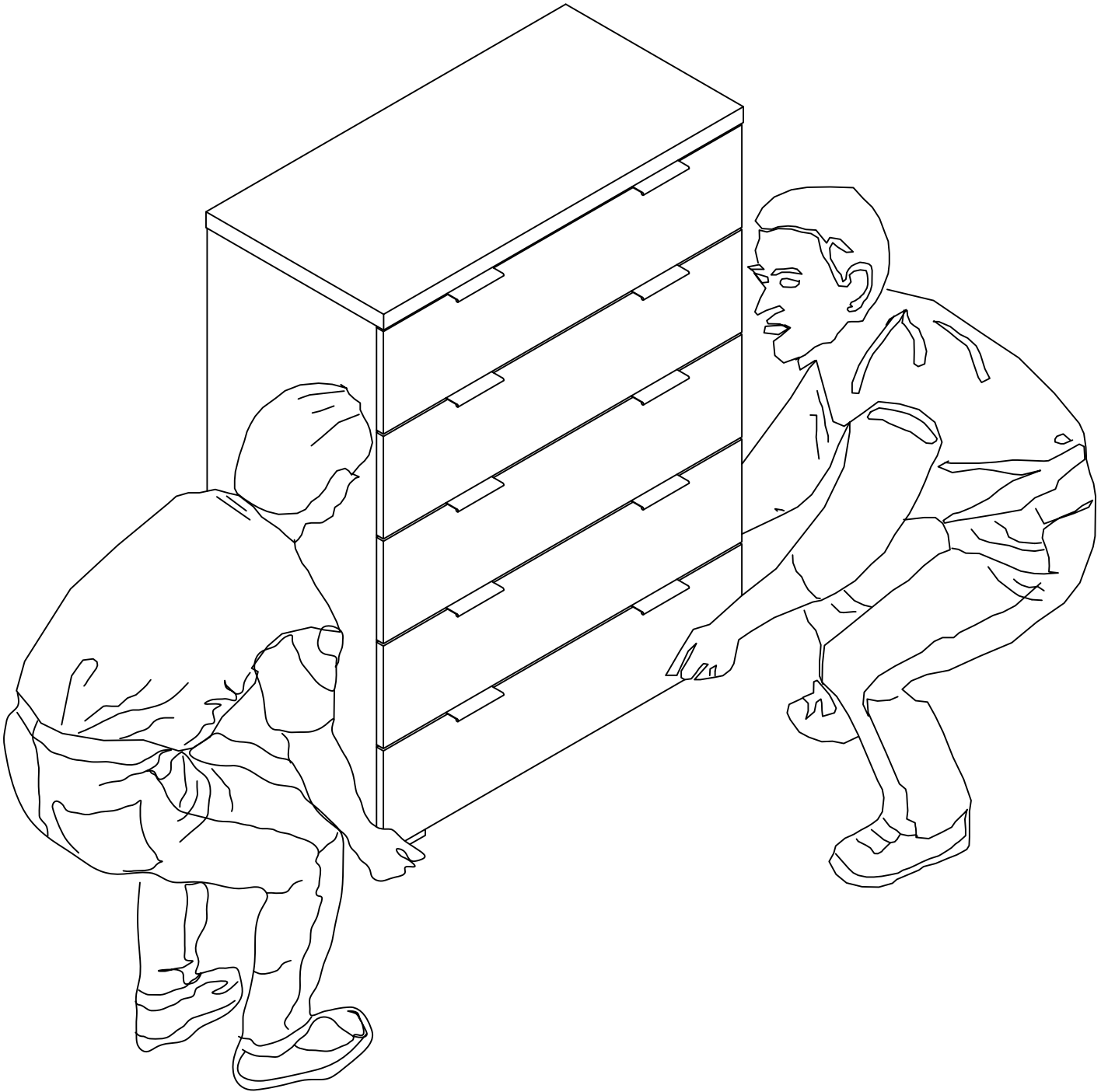


Assembly is complete



Note -

Do not drag the furniture as this may cause damage to the legs. Instead, use 2 persons to lift carefully with caution from either end.



IMPORTANT: CARE GUIDE FOR YOUR HI-GLOSS FURNITURE

Congratulations! You have just purchased a quality product from Amart Furniture, Australia's largest discount furniture retail store. Please read on for important information regarding your purchase...

Hi-gloss lacquered furniture is more sensitive to marks and scratching than some other furniture products. It is important to exercise caution and care to maximise the life and beauty of this product.

Following the below simple guidelines when using your hi-gloss product will protect your investment for years to come:

- Dust frequently with a clean damp, lint-free cloth. This will help remove abrasive build up which can damage a finish over time.
- Avoid using chemicals or solvents when cleaning the product.
- Do not place hot objects on any furniture surface. Always use a hot plate or placemat. Lacquer finishes provide added scratch and heat resistance to our furniture, but they can still be damaged without proper care.
- Avoid exposing your furniture to strong sunlight. Prolonged exposure to direct sunlight can fade the finish of your furniture.
- Do not expose your furniture to any liquids. Avoid allowing water to sit on your furniture. Alcohol, nail polish and perfume are particularly harmful as they will dissolve the lacquer finish on contact.
- Do not allow plastic to come in direct contact with your furniture. Chemicals in the plastic of some placemats etc may soften and mark the finish if left in contact with the furniture for a period of time.
- Avoid placing sharp or rough objects on the surface of your furniture. These may scratch the surface of the product.
- When moving your furniture, do not drag it across the floor. This may damage the product. Instead use two people to lift carefully with caution from either end.